

# Astrid HighBay-150W-LED

## Features:

- Instant On/Off; No UV or flickering
- 50% less power consumption than traditional light sources
- Cable: VDE/UL listed 3\*1.0mm<sup>2</sup> rubber with cold-pressed terminal
- Constant Current Driver from PHILIPS
- High power LEDs from Epistar
- Built-in copper heat pipe
- Option of reflectors available
- .ies/.ldt files are available

## Product details:



High Efficiency  
up to 110 lm/W



Excellent heat  
dissipation



Built-in copper  
heat pipe



Reflector  
Option



For further information and technical data  
please contact **Morgan Hope Industries Limited:**

Tel: **+44 (0)1704 512000** Fax: **+44 (0)1704 542632**  
E-Mail: **info@morganhope.com** **www.morganhope.com**

Units 5 & 6, Blowick Industrial Park, Crowland Street, Southport, Merseyside, PR9 7RU, England

**morganhope**  
INDUSTRIES LTD

Light **Where** you need it, **When** you need it

## Product Reference:

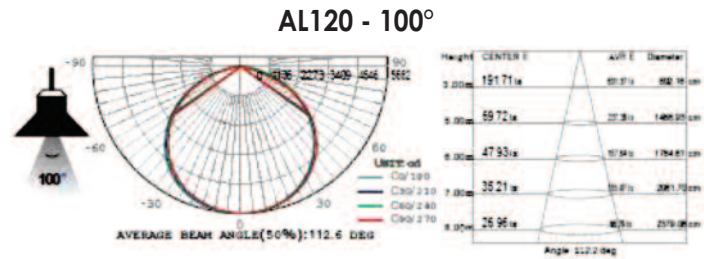
Part No:							Luminous Flux			
Regular	Dimmable	DALI	Power	Voltage	PF	@3000K	@4000K	@5000K	@6500K	
Astrid HighBay-150W-LED	Astrid HighBay-150W-LED-DIM	Astrid HighBay-150W-LED-Dali	150W	220-240VAC	>0.95	14850 lm	15680 lm	16000 lm	16500 lm	

## ErP operational detail:



Immediate full light output at switching and can be dimmable	CRI >80	SDCM <6	Starting Time <0.5s	Life Time 50000 h	Switching Cycles 15000	Reflector 120° Beam Angle 100°	Lumen maintenance Factor >80%
--	---------	---------	---------------------	-------------------	------------------------	--------------------------------	-------------------------------

## Light distribution curve and Average E(lx) Figure-150W/5000K



Note: AL120 is a 120° reflector providing a 100° beam angle of light output.



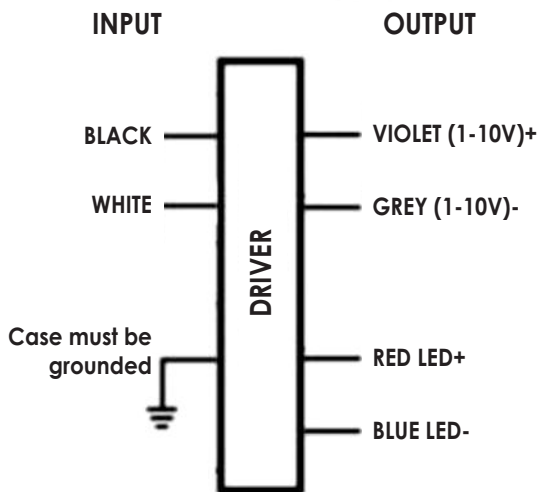
# Electrical Specification:

## 929001401780

Brand Name	XITANIUM
Description	Xitanium Dim 150W 1.05A 1-10V 230V Y
Input Voltage	220 ~ 230 ~ 240V
Input Frequency	50/60Hz
RoHS	Yes
Status	Released

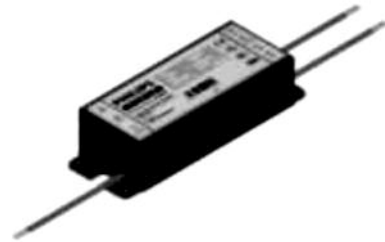
Output Power (W)	Output Voltage (V)	Output Current (A)	Efficient y@ Max Load	Max Case Temp (°C)	Input Current (Arms)	Max Input Power (W)	Inrush Current (A <sub>in</sub> /50%= μs)	THD @ Max Load (%)	Power Factor @ Max Load	Surge Protection Common/ Dif (KV)	Weight (Lbs/kgs)
150	62-142	0.105-1.05	230V 92%	80°C	220V 230V 240V 0.76 0.72 0.69	165	230 Vin 46/440	<10 see graph	>0.95 see graph	4KV/4KV	1.29/0.586

### Wire Diagram



Input and output use lead wires.  
Lead-wires are 18AWG 105C/600V solid copper.  
Lead Length outside enclosure: 270 mm (±30mm) on input and output wires.

### Enclosure



	in	mm
Case Length	5.43	138.00
Case Width	2.32	59.00
Case Height	1.50	38.00
Mounting Length	5.98	152.00
Mounting Width	1.69	42.88
Overall Length	6.61	168.00



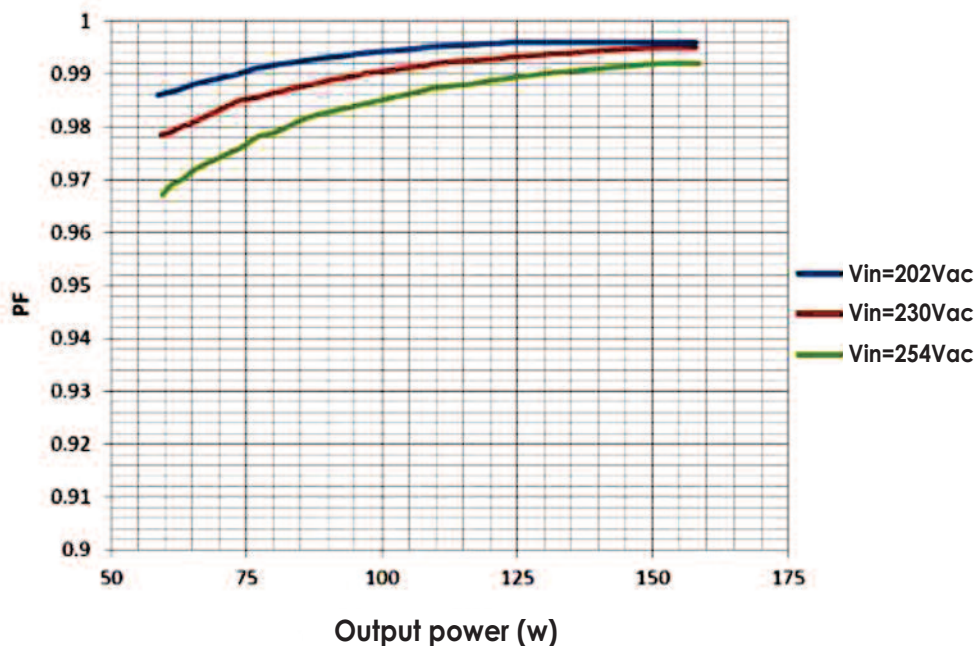
## Product Data:

Order code:	929001401780
Full product code	929001401780
Full product name	Xitanium Dim 150W 1.05A 1-10V 230V Y
Net weight per piece	5.5 KG
Interfaces	1-10V or Dali
Ambient Temp Range Corresponding TCCase	-40°C to +55°C -15°C to +80°C
Line Voltage	220-240VAC (Certified), 85-305VAC (Operation)
Line Current	0.76A @ 220VAC
Line Frequency	50/60MHz
Life @ TC 70C	Refer to graph on datasheet pages
Life @ TC 80C	Refer to graph on datasheet pages
Suitable for outdoor use	Yes
Max TC	80°C
Maximum ballast number on MCB 16A	11
Input Over-voltage	Can survive input over-voltage stress of 320VAC for 48 hours and 350VAC for 2 hours
Earth leakage current	Meet IEC60598 with 1 driver
Output Current ripple	15% @1050mA (rippled = pk/avg)
Output Current tolerance	+/-5% @1050mA
THD total	Refer to graph on datasheet pages
PF @ Max Load	Refer to graph on datasheet pages
Wire isolation	Basic, refer to following sections
Isolation between input and output	Basic, refer to following sections
Isolation to chassis housing	Basic, refer to following sections
Protection(s)	Short Circuit and Open Circuit Protection for LED + and LED -

## Power Factor

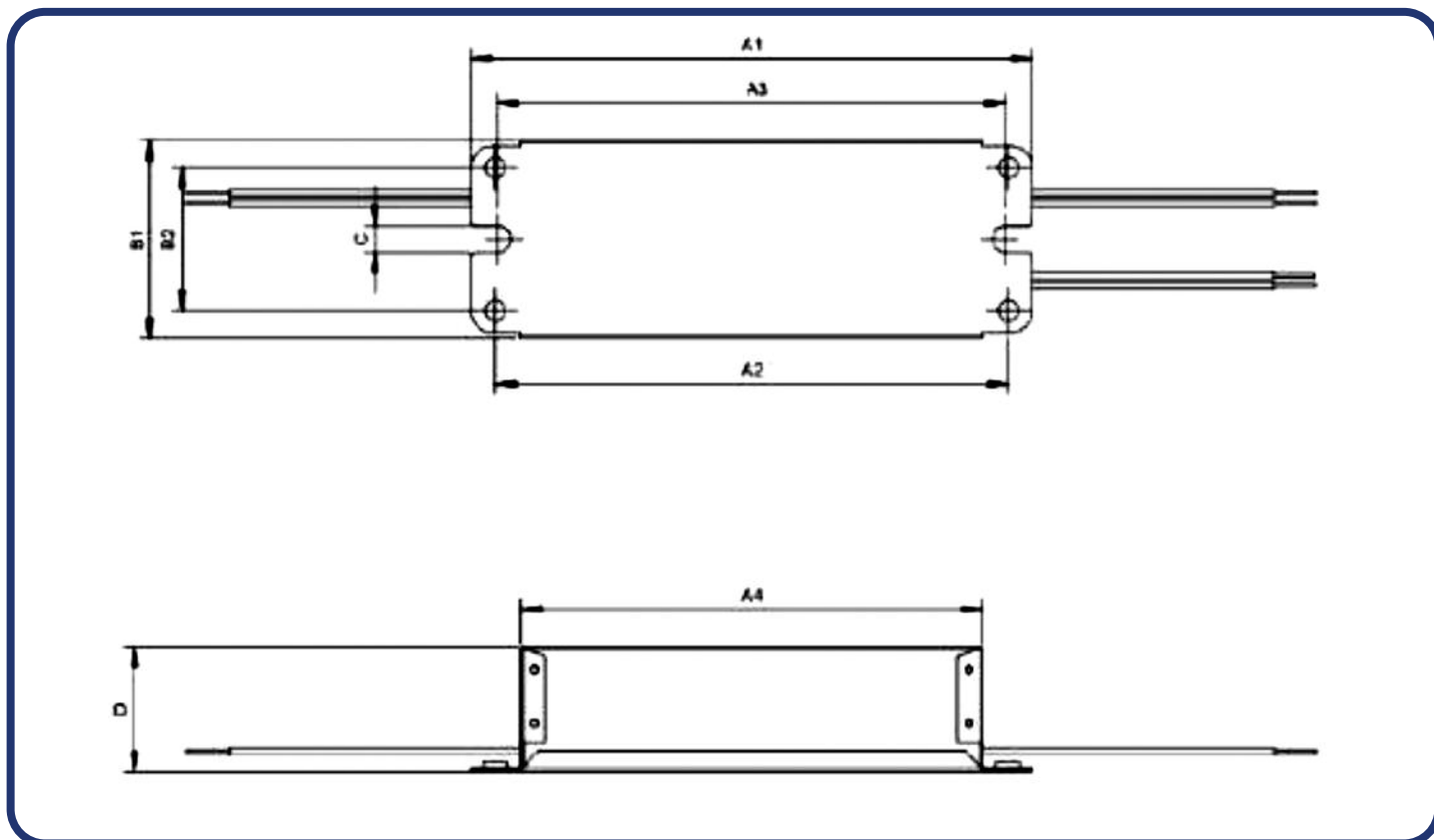
Test condition: Tcase = 70°C

Power Factor VS Output Power



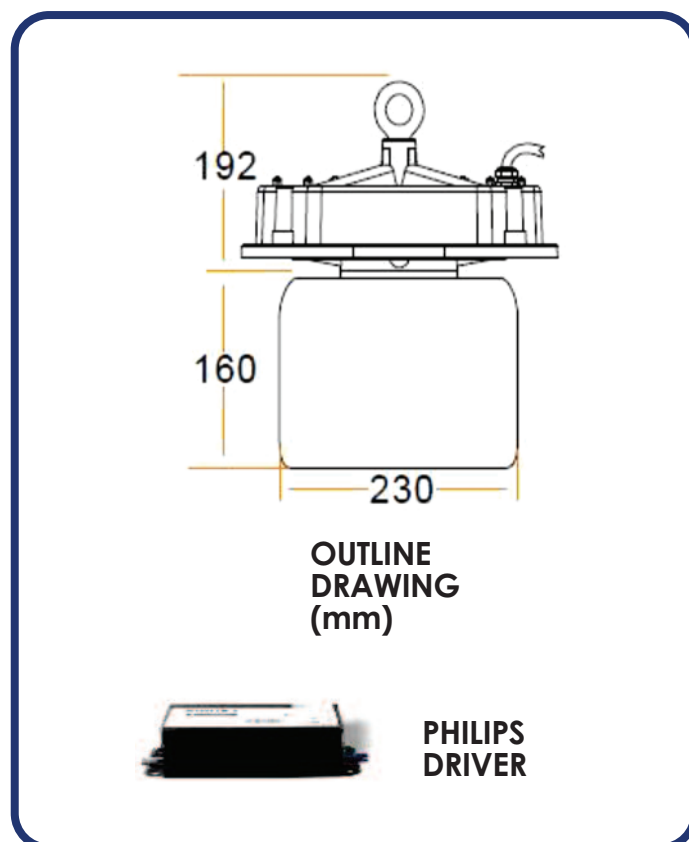
## Dimensions:

Unit in millimeters unless otherwise specified.



### Data Sheet

Item:	Dimension
A1	167.5
A2	153.2
A3	151.6
A4	137.8
B1	59.2
B2	42.9
C	7.9
D	37.5





Light **Where** you need it, **When** you need it

For further information and technical data please contact **Morgan Hope Industries Limited:**

Tel: **+44 (0)1704 512000**

Fax: **+44 (0)1704 542632**

E-Mail: **info@morganhope.com**

**www.morganhope.com**

Units 5 & 6, Blowick Industrial Park, Crowland Street,  
Southport, Merseyside, PR9 7RU, England



Always ensure the fitting is fully earthed. **Important:** Installation must only be carried out by a Qualified Electrician. Morgan Hope Ltd reserves the right to change specification details without notice.