

Astrid-SSL-30W LED Street Lamp



Description:

Using latest LED technology the Astrid-SSL-30W LED Street Lamp has been developed to provide LED Street Lighting but at an affordable cost. Designed primarily as a retro-fit lamp, but also suitable for new lighting projects, it offers the opportunity to upgrade HPS and Discharge lamps within Street Lights to Energy Efficient Lighting with LEDs. The Astrid-SSL-30W LED Lamp is fitted with an Edison Screw Lamp Base with options of E27 or E40 and unlike Street Light Heads that are produced with integral LED PCB arrays, requiring a complete Street Light Head change at the end of life, the Astrid-SSL-30W-LED Lamp requires just a simple Lamp replacement.

There are no remote drivers, as the Astrid SSL-30W LED Street incorporates all components to drive the High Output LEDs within the lamp housing and is designed with an aluminium multi fin heat-sink to ensure good dissipation of heat generated by the LEDs. After disconnecting all existing ballasts, the Lamp-holder within the Street Light Head is to be wired direct from the mains, preferably via a terminal block or connector plug, only requiring the Astrid SSL-30W LED to be screwed into position for Lamp operation.

Features:

1. Super Bright 1W High Output LED Chips providing 110-120lm/W
2. Energy Efficient LED Lamp to replace the conventional HPS bulb
3. Optional input voltages:- DC 12V, 24V, 36V, AC 90-260V or 277V. The DC version is designed to operate with Solar/Wind Power Systems - the 277Vac is for industrial lighting
4. Power consumption: 30.8W
5. IP Rating: IP60
6. 80% more energy saving compared with conventional incandescent lamp
7. Colour Rendition options:- Cool White, Natural White and Warm White with high CRI
8. Driver:- Isolated Constant Current Driver providing safe and reliable operation.
9. CE, ROHS certificated
10. No UV or IR radiation in the light beam
11. Aluminium finned heat-sink to maintain the life-span of the LEDs
12. Ballast free with all Drivers integrally mounted within the Lamp for easy installation
13. Lamp Base Options:- E26/E27 or E39/E40



For further information and technical data please contact **Morgan Hope Industries Limited:**

Tel: **+44 (0)1704 512000** Fax: **+44 (0)1704 542632**
E-Mail: **info@morganhope.com** **www.morganhope.com**

Units 5 & 6, Blowick Industrial Park, Crowland Street, Southport, Merseyside, PR9 7RU, England

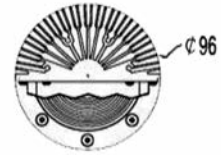
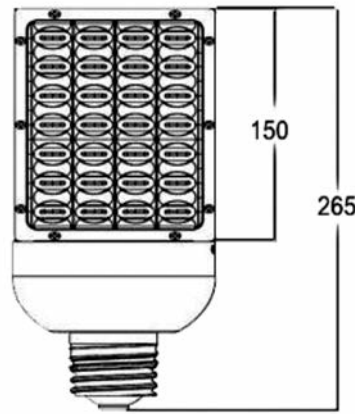
morganhope
INDUSTRIES LTD

Light **Where** you need it, **When** you need it

Applications

- Street Lighting
- Main Road Lighting
- Secondary Road Lighting
- Car Parks
- Shopping Malls
- Parks
- Industrial Zones
- Residential Areas

Dimensions & Weight

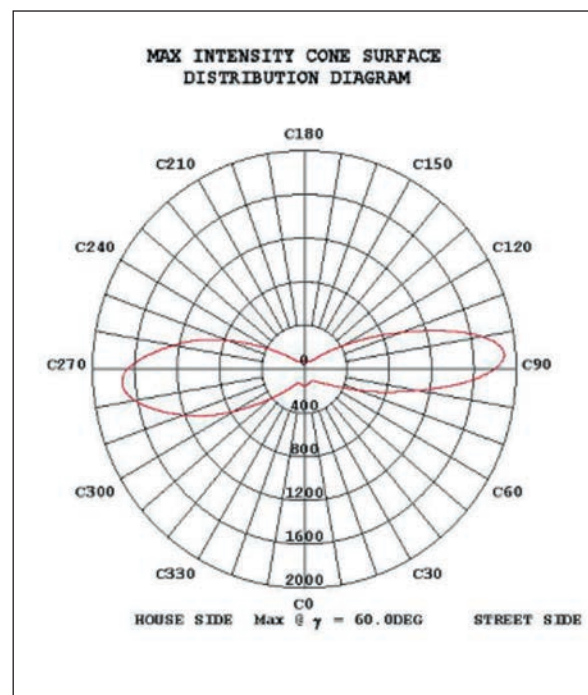
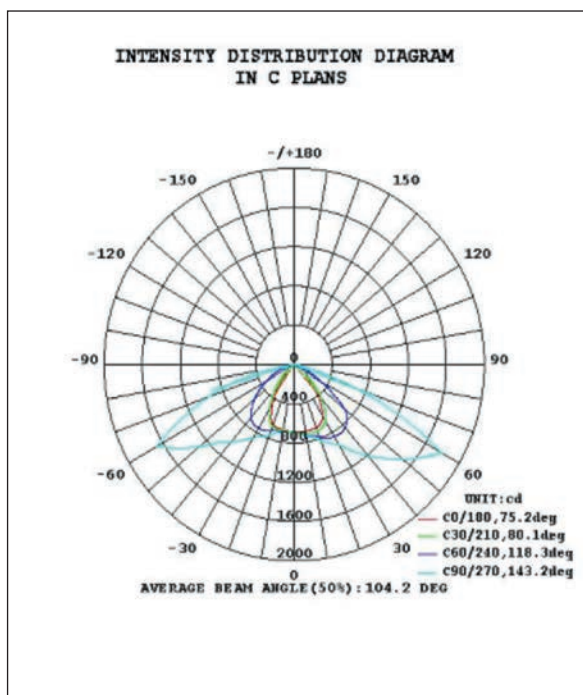


Overall Length	265mm
Diameter	96mm
Net Weight	1.2KG

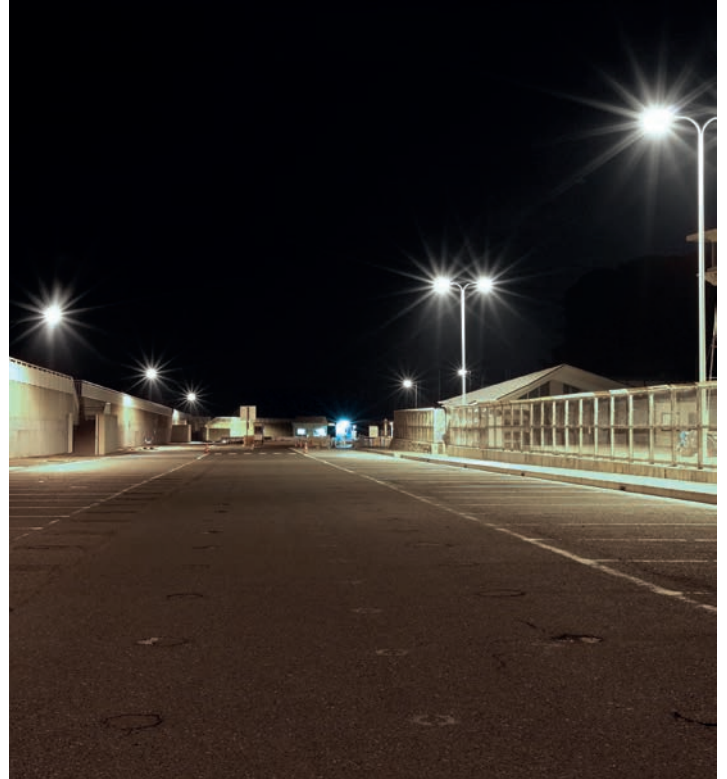
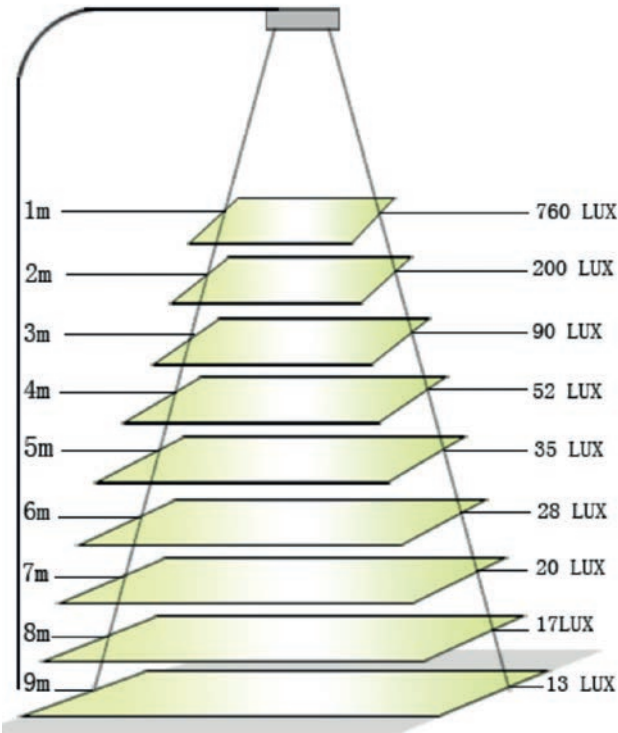
Specification

Model	Astrid-SSL-30W LED Street Lamp
Input Voltage Options	"DC 12/24V/ AC 85-265V, 277VAC"
Power Factor	>0.95
Light Source	28pcs 1w high power led
Power Consumption	30.8W
LED Luminous Efficiency	>110LM/W
LED Initial Flux	2500-2800Lm
Colour Temperature	"2700-3500K, 4000-4500K, 5500-6500K"
Colour Rendering Index	Ra>75
Light Distribution Curve/Beam Pattern	Asymmetric (Bat Wing/Rectangular Beam)
Base	E26/E27 or E39/E40
LED Working Life	>50000hrs

Light Distribution Diagram

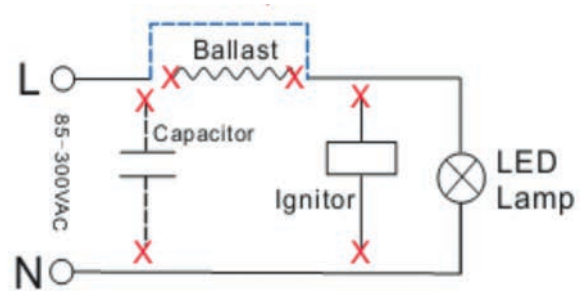
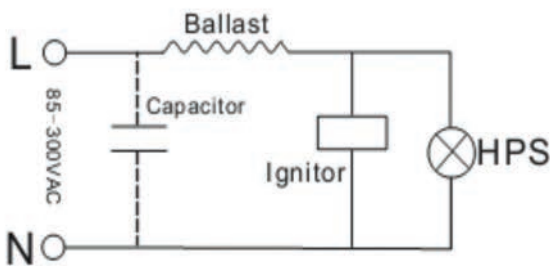


Illuminance

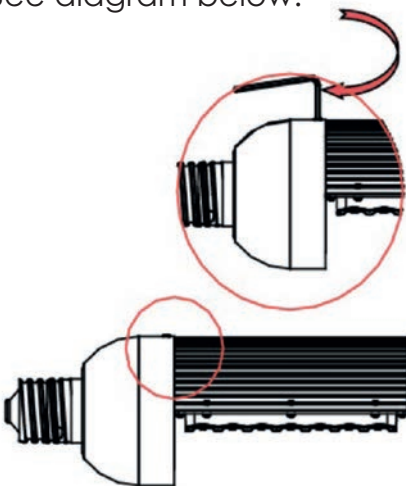


Installation

1. When installing the Astrid-SSL LED Street Lamp, ensure the existing ballast and gear is disconnected.
2. Take the incoming Live and Neutral supply direct to the Lamp-holder and always ensure the luminaire is earthed.



3. Ensure correct alignment of the lamp for optimum light distribution. Each lamp has an Allen Key adjustment to enable lamp rotation. Once aligned screw to hold in position. See diagram below.

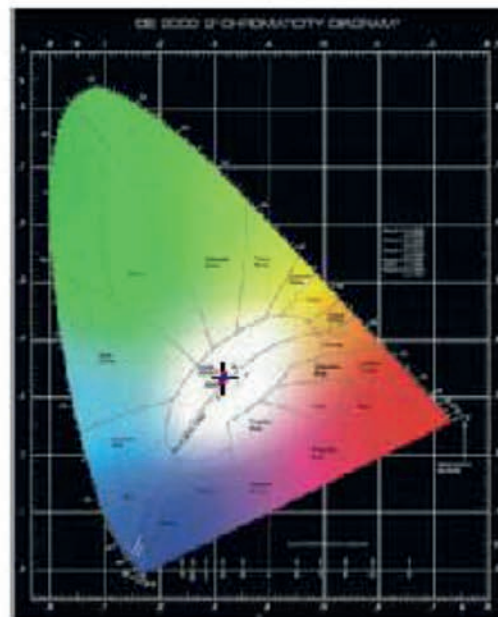
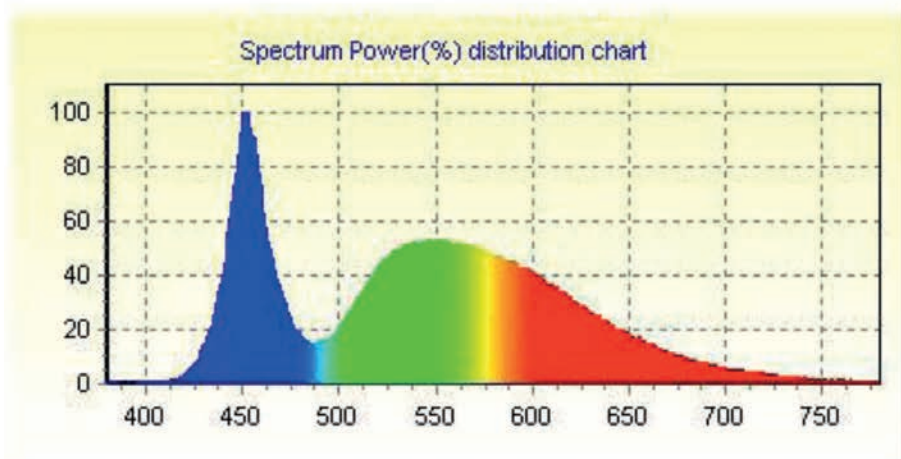


Important:

1. Installation must be carried out by a Qualified Electrician.
2. Always isolate power prior to working on the luminaire.
3. To eliminate risk to installer or damage to the Lamp, never install during rainfall or lightning."
4. Do not stare into light-emitting LED
5. Not suitable for use outside luminaire housing such as in an open pendant lamp-holder
6. Ensure sufficient space within the luminaire for heat dissipation.

Test Report

Curve of spectrum power distributing



Spectrum		Electrical		
λ (Peak):	450.3 nm	I (test):	141.000 mA	
λ (Main):	495.0 nm	V_f :	218.800 V	
λ (Centroid):	441.4 nm	ϕ_v :	2635.3 lm	
λ (Centre):	442.0 nm	Efficiency:	87.217 lm/w	
Band Width:	23.0 nm	P:	30.8 W	
Colour Temp:	6229 K	PFC:	0.953	
CIE (x,y):	0.3170, 0.3375	R1: 73.9	R2: 80.6	R3: 83.2
CIE (u,v):	0.1976, 0.3156	R4: 74.4	R5: 72.6	R6: 70.9
Ra:	79.1	R7: 84.4	R8: 64.3	R9: -15.3
Purity:	0.053	R10: 50.6	R11: 79.9	R12: 38.6
Light Power:	10204.4087 mw	R13: 74.8	R14: 90.4	R15: 69.6
Radiation Power:	0.0000 mw	Colour Ratio:	R: 23.8% G: 45.0% B: 31.2%	

Astrid-SSL-30W LED Street Lamp

