

Bravo

IP 65 WALL PACK FOR EXTERIOR LIGHTING

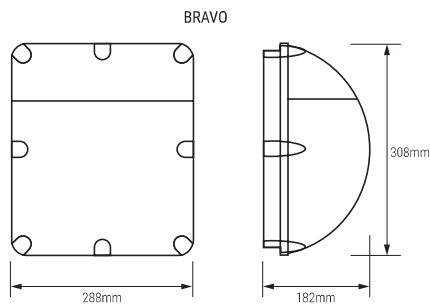


APPLICATIONS

> Designed for external wall light applications.

FEATURES

- > Energy efficient with LED light source
- > Vandal Resistant
- > Finished with Black trim
- > Suitable for external use
- > IP65 Rating
- > Designed for full output On/Off switching only
- > Dusk to Dawn photocell option
- > Available with integral LiFePO4 Lithium Battery Emergency Back-up system
- > 11W and 30W versions offering 1320 lm & 3600 lm



DESCRIPTION

The **Bravo** is an IP65 wall pack constructed in polycarbonate with black base and hood and clear reeded diffuser. The **Bravo** provides indirect down light to avoid unnecessary light pollution. It is available with integral photocell for dusk to dawn operation.



TECHNICAL + OPTIONS

MODEL CODE	WATTAGE	LAMP LUMEN OUTPUT	TRIM COLOURS	COLOUR TEMPERATURE	OVERALL SIZE	OPTION CODE SUFFIX
Bravo 11	11W	1320 lm	Black	3000k 4000k*	308 mm H x 288 mm W x 182 mm D	PC3-LED - Dusk to Dawn Photocell EM3/LP4 - Integral Emergency Pack
Bravo 30	30W	3600 lm				

*Default specification.