

# MicroTect IM / SM

OCCUPANCY / DAYLIGHT CONTROL WITH MICROWAVE DETECTION

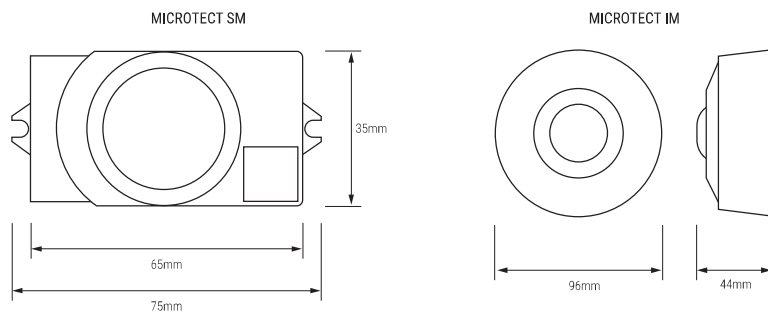


## APPLICATIONS

- > Corridors
- > Offices
- > Store rooms
- > Car parks
- > Integral mounting into luminaires

## FEATURES

- > Time-out setting options - from 12 seconds to 30 minutes.
- > Reach/Sensitivity options - 2m to 10m
- > Daylight regulation options - 150 lux to 2000 lux only suitable for specific luminaires where nuisance switching can be avoided.



MicroTect IM

## DESCRIPTION

MicroTect is an occupancy detector system utilising Microwave technology to provide rapid response detection, with high sensitivity, where PIR technology would be restricted. It is designed to react to the slightest movement within its detection zone, even when concealed within luminaires.

The MicroTect "IM" is primarily designed for location into luminaires whereas the MicroTect "SM" is primarily designed to be situated outside luminaires.

## TECHNICAL + OPTIONS

MODEL CODE	SWITCHING LOAD	REACH	OVERALL DIMENSIONS
MicroTect IM	1200W (220-240Vac) 600W (100-130Vac)	1 - 10 Metre Radius (Adjustable)	Ø96 mm x 44 mm (H)
MicroTect SM			77 mm (L) x 35 mm (W) x 25 mm (H)